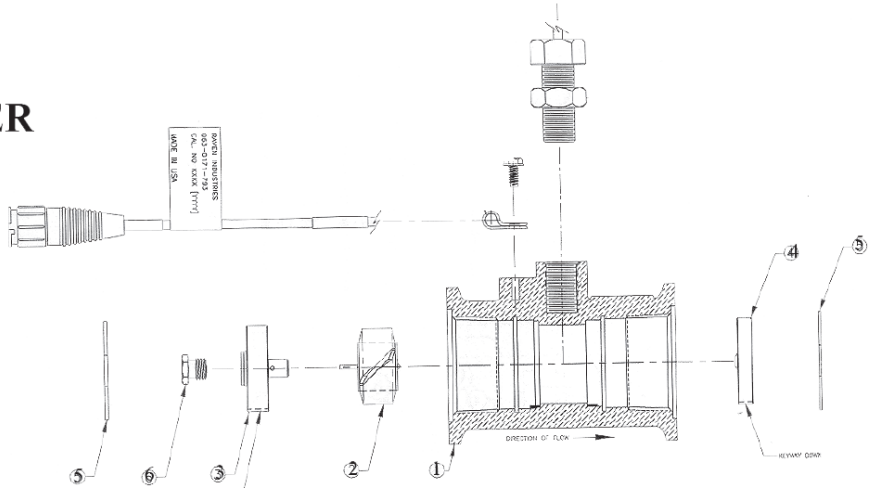


RFM15 POLY FLOWMETER

1 1/2" FPT X 2" Flange Poly
3-15 GPM, 300 PSI

084 RFM15F COMPLETE

- 1) 084 106550 Poly Body
- 2) 084 063041 Rotor
- 3) 084 063674 Hub/Bearing Assy
- 4) 084 063769 Rotor Stop & Brg
- 5) 084 335278 Snap Ring
- 6) 084 063062 Stud Bearing
- 7) 084 063669 Sensor Assy

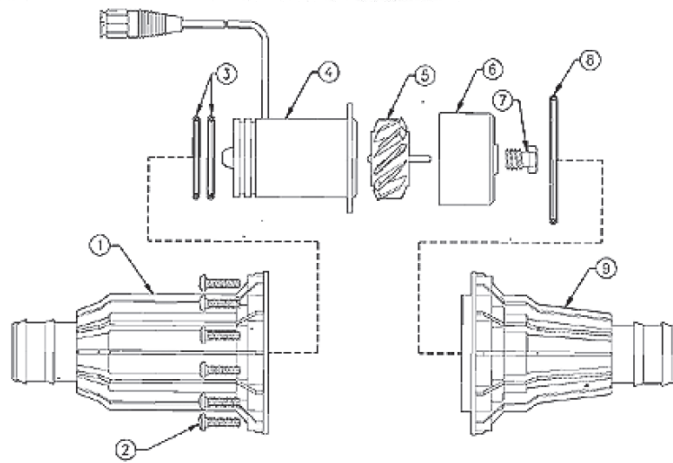


RFM55 POLY FLOWMETER

1 1/4" Barb Poly, 1-55 GPM, 200 PSI

084 063571 COMPLETE

- 1) 084 019085 Sensor Housing
- 2) 084 311037 10-32x3/4 Screw
- 3) 084 2192030 Xder O'Ring
- 4) 084 063749 Transducer (obsolete)
- 5) 084 117020 Rotor only
- 6) 084 063563 Hub/inner bearings
- 7) 084 063062 Stud bearing
- 8) 084 219042 Inlet oring (viton)
- 9) 084 063776 Hub Housing (obsolete)
- 10) 084 325005 Inner hub sapphire
- 084 219040 Outlet oring (Old)
- 084 325012 Tungsten bearing



RFM60P, RFM60S & RFM60SG

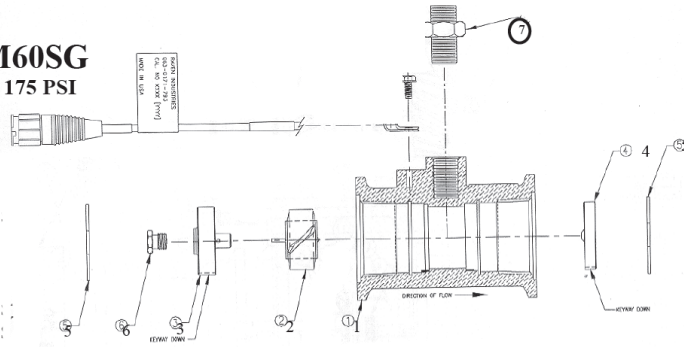
1 1/2" FPT X 2" Flange Poly, 1-60GPM, 175 PSI
1 1/2" Stainless, 1-60GPM, 300 PSI

084 RFM60P Poly Complete

084 RFM60S Complete Stainless

084 RFM60SG Complete Stainless (Vortex Only)

- 1) 084 106514 Poly Body
- 2) 084 063673 Rotor
- 3) 084 063674 Hub/Bearing Assy
- 4) 084 063769 Rotor Stop & Brg
- 5) 084 335278 Snap Ring
- 6) 084 063062 Stud Bearing
- 7) 084 063669 Sensor Assy

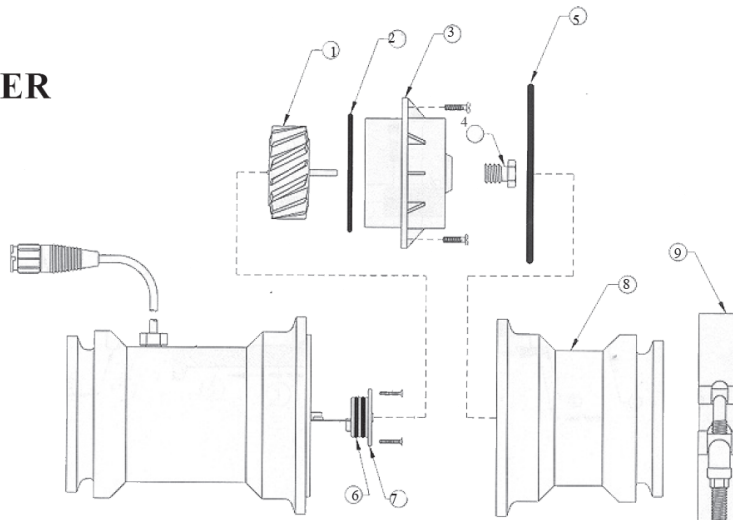


RFM100 POLY FLOWMETER

2" FPT Poly, 3-100GPM, 150 PSI

084 063066 COMPLETE

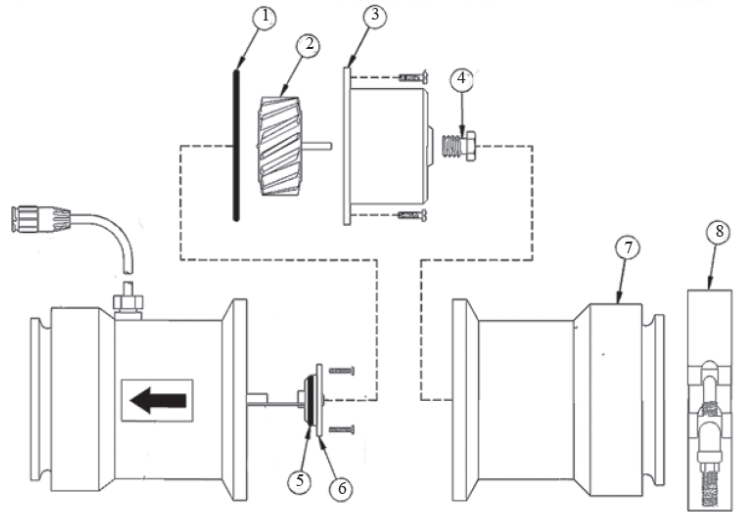
- 1) 084 063002 Rotor only
- 2) 084 219140 Hub O'ring
- 3) 084 321222 Hub w/Bearings
- 4) 084 063082 Stud Bearing
- 5) 084 219238 Body O'ring
- 6) 084 219018 O-ring, x-ducer
- 7) 084 117567 Plug/Pc Assy
- 8) 084 107005 Hub Housing, Inlet
- 9) 084 435032 Band Clamp
- 10) 084 325016 Sapphire Bearing
- 084 117441 Cable Kit



RFM200 POLY FLOWMETER

3" FPT Poly, 15-200GPM, 90 PSI

- | | |
|---------------------|-----------------|
| 084 063751 | COMPLETE |
| 1) 084 219051 | Oring (EPDM) |
| 084 219052 | Oring (viton) |
| 2) 084 063-0173-003 | Rotor only |
| 3) 084 063564 | Hub w/bearings |
| 4) 084 063575 | Stud bearing |
| 5) 084 219040 | O-ring, X-ducer |
| 6) 084 063646 | Plug/PC Assy |
| 7) 084 107618 | Hub Housing |
| 8) 084 435031 | Retainer Clamp |
| 084 325006 | Turbine bearing |
| 084 117441 | Cable Kit |

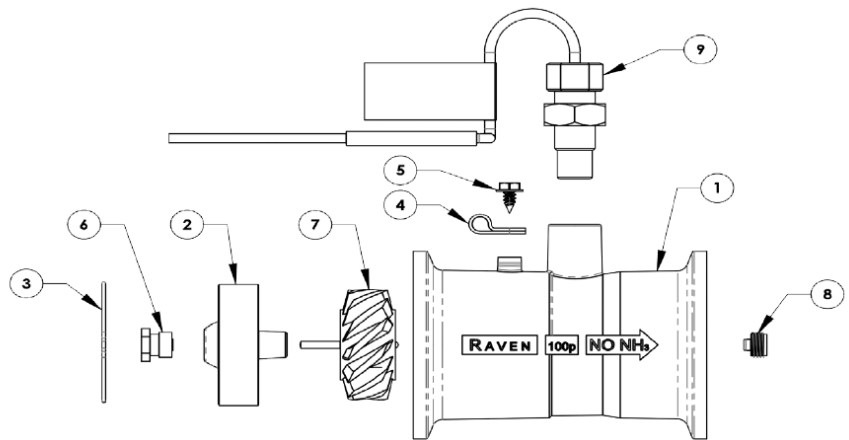


RFM100 POLY FLOWMETER

2" Flange Poly, 3-100GPM, 150 PSI

ORDER NO. DESCRIPTION

- | | |
|-------------------------|---------------------------|
| 084 RFM100P | COMPLETE FLOWMETER |
| 084 RFM100P-CASE | FLOWMETER, CASE |
| 1) (not available) | |
| 2) 084 063580 | Hub/Bearing Upstream |
| 3) (not available) | |
| 4) (not available) | |
| 5) (not available) | |
| 6) 084 063057 | Stud Bearing |
| 7) 084 063596 | Rotor Only |
| 8) 084 063744 | Stud, DownStream Bearing |
| 9) 084 063004 | Sensor Assembly; Raven |
| 084 063458 | Sensor Assembly; Case |



RFM200 POLY FLOWMETER

3" Flange Poly, 15-200GPM, 150 PSI

ORDER NO. DESCRIPTION

- | | |
|-------------------------|---------------------------|
| 084 RFM200P | COMPLETE FLOWMETER |
| 084 RFM200P-CASE | FLOWMETER, CASE |
| 1) (not available) | |
| 2) 084 063581 | Hub/Bearing Upstream |
| 3) (not available) | |
| 4) (not available) | |
| 5) (not available) | |
| 6) 084 063575 | Stud Bearing |
| 7) 084 063597 | Rotor Only |
| 8) 084 063744 | Stud, DownStream Bearing |
| 9) 084 063004 | Sensor Assembly; Raven |
| 084 063458 | Sensor Assembly; Case |

